

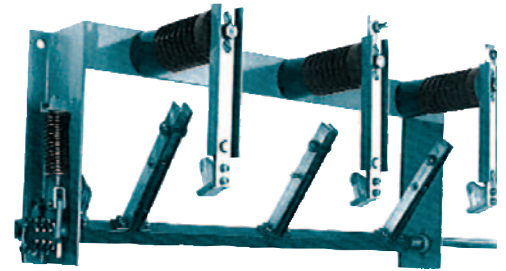
Medium Voltage Earthing Disconnectors

ETM Range

3.6 kV, 12 kV, 24 kV, 36 kV

Number of poles : 1, 2, 3, ...

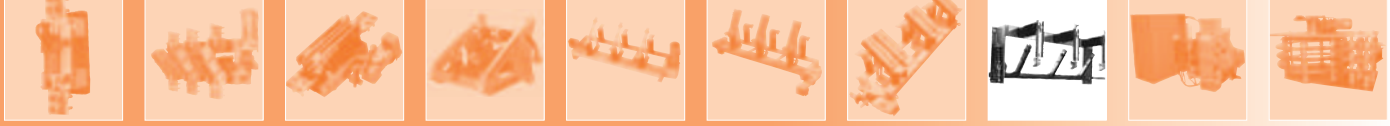
- Quick-on mechanism
- Closing with short circuit current
- Large isolation air and creepage path
- True opening and visible distance
- Rugged anti-torsion construction
- Large customisation with:
 - Manual or motor drives
 - Auxiliary switches, blocking magnets
- According to IEC 62271-102
- Dimensions Fitting



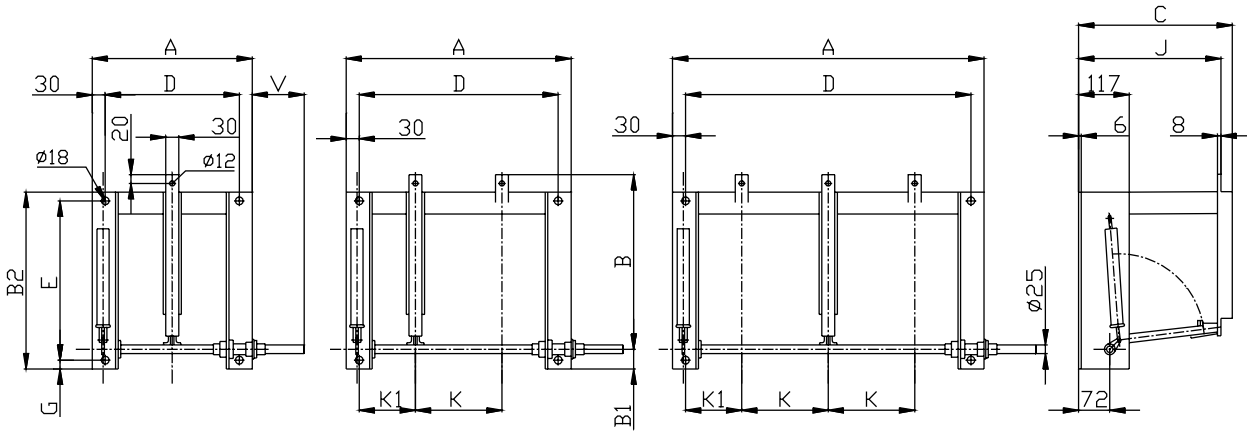
Electrical Characteristics

| Rated Insulation voltage | RMS 1 sec short-time withstand | Rated peak current | Short-circuit making Capacity | Dielectric withstand Voltage 1 min/50 Hz | | Rated impulse withstand Voltage BIL | |
|--------------------------|--------------------------------|--------------------|-------------------------------|--|-------------------------------|-------------------------------------|-------------------------------|
| | | | | Phase to earth and between poles | Across the isolating distance | Phase to earth and between poles | Across the isolating distance |
| 3.6 kV | 25 kA | 50 kA | 50 kA | 10 kV | 12 kV | 40 kV | 46 kV |
| 12 kV | 38.5 kA | 96 kA | 76 kA | 28 kV | 32 kV | 75 kV | 85 kV |
| 24 kV | 38.5 kA | 96 kA | 76 kA | 50 kV | 60 kV | 125 kV | 145 kV |
| 36 kV | 38.5 kA | 96 kA | 76 kA | 70 kV | 80 kV | 170 kV | 195 kV |

- Indoor type
- Mechanical endurance: 3,000 cycles without short-circuit interruption
- Maximum temperature withstand at 130° C damages to the switch
- Electrical contact by contact knives with pressed on hard silver contact rivets and silver-plated electrolytic copper plates
- Supporting insulators made of caste epoxy resin (fire classification according to UL94-V1)
- Suitable for vertical mounting only



Main dimensions ETM 8-12 kA



| kV | No of Poles | A | B | B1 | B2 | C | D | E | G | J | K | K1 | V | Drive |
|-----|-------------|------|-----|----|-----|-----|------|-----|----|-----|-----|-----|-----|-------|
| 3.6 | 1 | 320 | | | | | 260 | | | | - | - | | |
| | 2 | 445 | | | | | 385 | | | | 125 | 130 | | |
| | 3 | 570 | | | | | 510 | | | | | | | |
| 12 | 1 | 370 | 300 | | 305 | 285 | 310 | 265 | | 270 | - | - | 120 | |
| | 2 | 670 | | 45 | | | 610 | | 20 | | 300 | 155 | | |
| | 3 | 970 | | | | | 910 | | | | | | | |
| 24 | 1 | 370 | | | | | 310 | | | | - | - | | 2 |
| | 2 | 720 | 380 | | 385 | 355 | 660 | 345 | | 340 | 350 | 155 | 140 | |
| | 3 | 1070 | | | | | 1010 | | | | | | | |
| 36 | 1 | 510 | | | | | 450 | | | | - | - | | |
| | 2 | 960 | 485 | 62 | 510 | 455 | 900 | 450 | 30 | 430 | 450 | 225 | 180 | |
| | 3 | 1410 | | | | | 1350 | | | | | | | |

Ferraz Shawmut has it all for defining and offering customized solutions to meet your most specific requirements :

- Adapted drives or control units
- Adapted technical performances (short-circuit current capability, endurance ,small load make / break capacity)